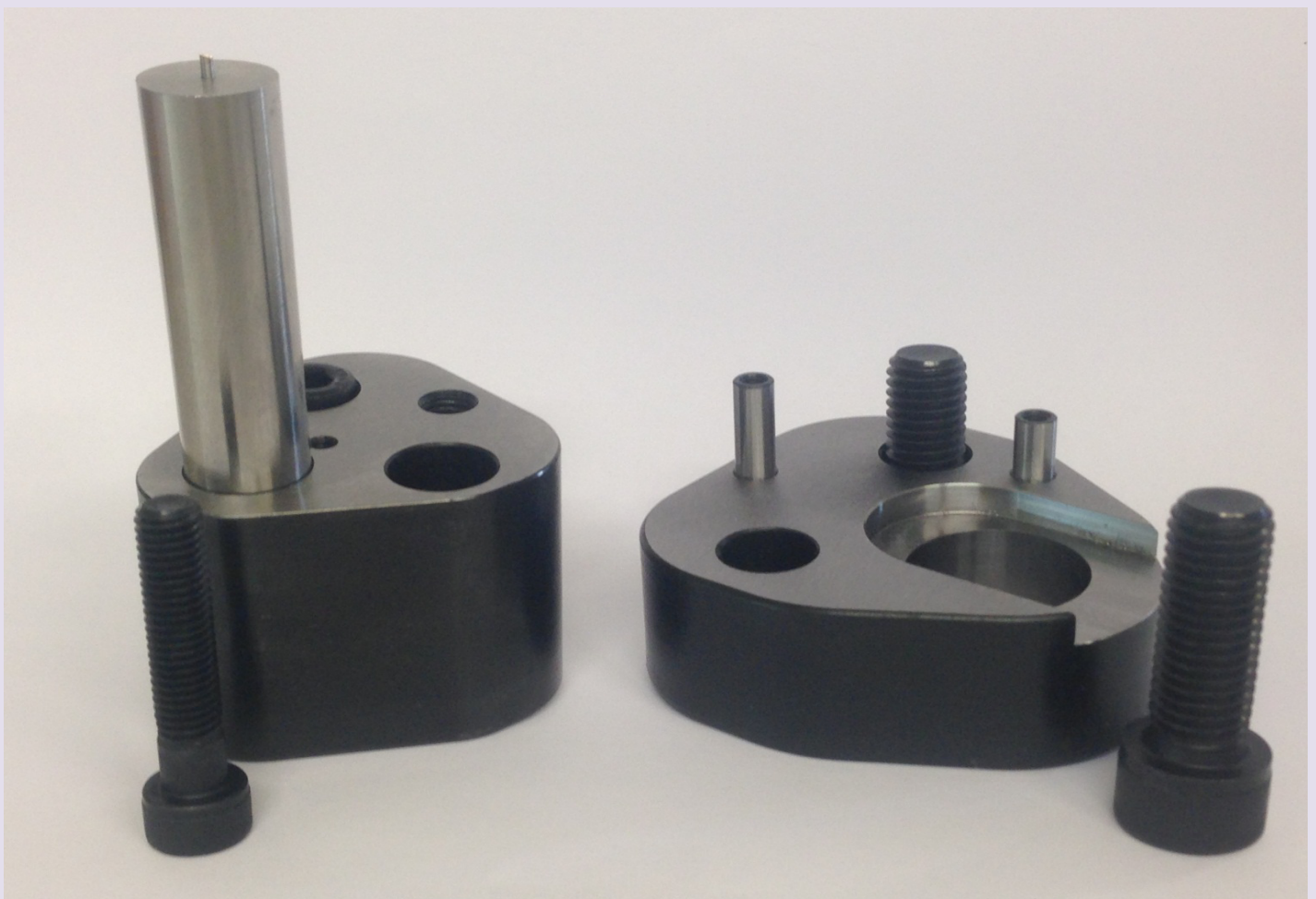


INGENIERIA DE MOLDES Y TROQUELES, S. A.

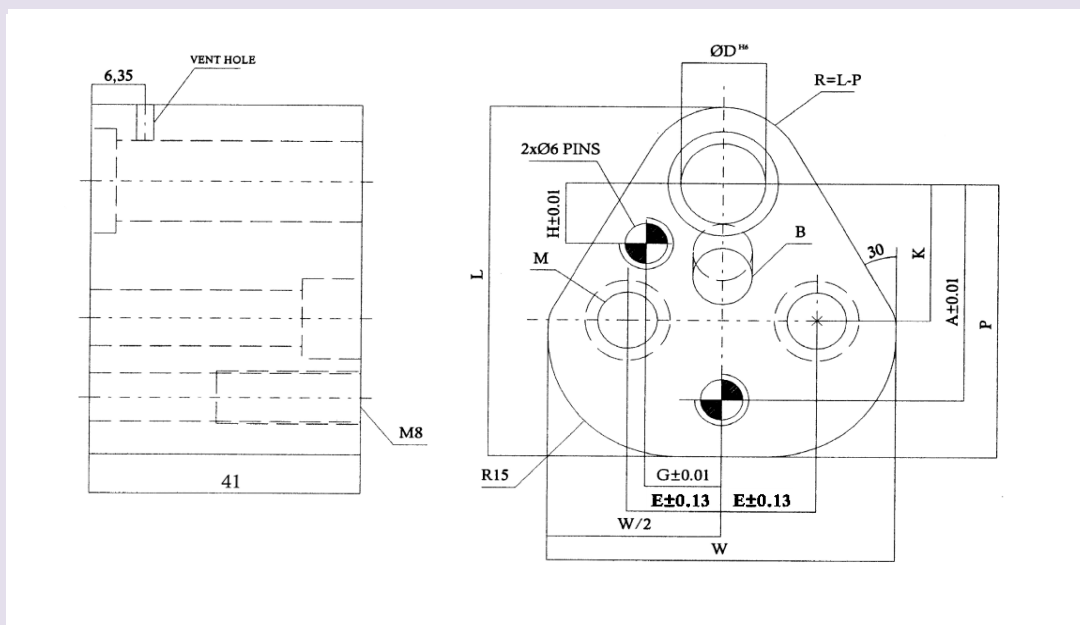
RETAINERS





METRIC HEAVY DUTY RETAINER

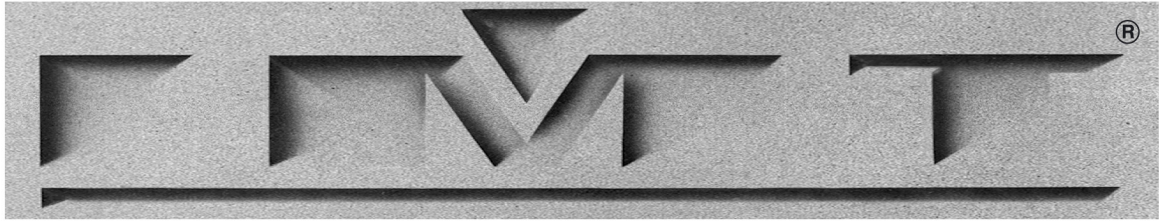
MTHR



ACCESSORIES INCLUDED : 2 SCREWS, 2 DOWEL PINS, 1 BALL RELEASE SCREW

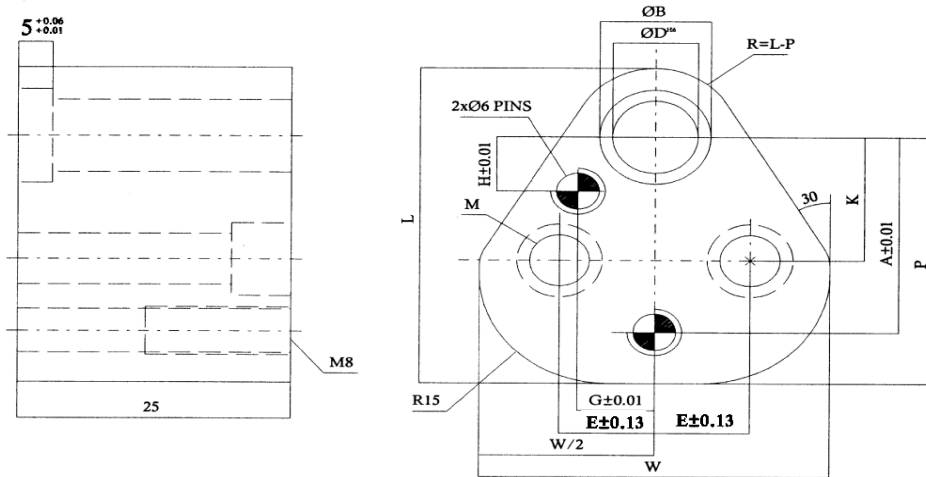
ORDER EXAMPLE: MTHR with D=16 ----- MTHR-16

D	10	13	16	20	25	32	40
W	41,00	48,50	51,70	56,80	64,50	64,50	72,90
L	43,50	49,60	52,70	59,30	68,90	68,90	76,40
P	34,00	37,00	38,60	41,90	46,70	46,70	50,50
A	26,92	29,97	31,75	33,53	40,64	40,64	43,99
K	19,05	19,05	19,05	19,05	23,82	23,82	27,00
E	11,12	14,27	15,87	17,47	19,84	19,84	24,00
H	7,50	6,50	6,00	5,00	7,00	7,00	10,00
G	9,00	12,00	13,50	16,50	22,00	22,00	26,00
B	10,00	12,00	12,00	12,00	12,00	12,00	12,00
M	M8	M8	M8	M8	M8	M8	M8



METRIC HEAD RETAINER

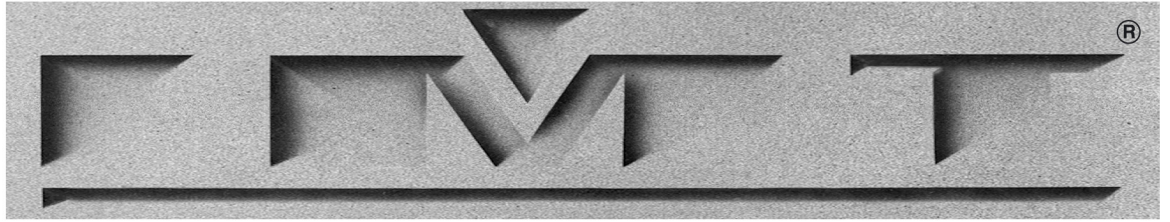
MTPR



ACCESSORIES INCLUDED : 2 SCREWS, 2 DOWEL PINS

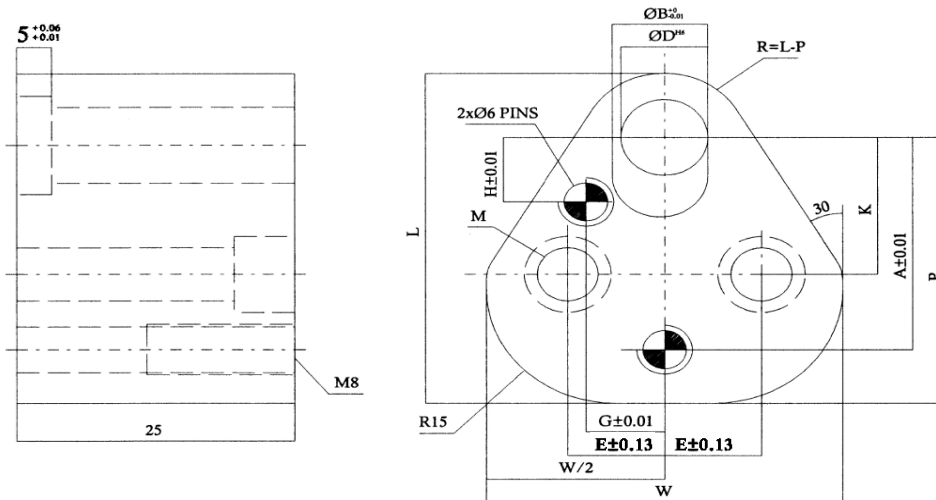
ORDER EXAMPLE: MTPR with D=16 ----- MTPR-16

D	10	13	16	20	25	32
W	41,00	48,50	51,70	56,80	64,50	64,50
L	43,50	49,60	52,70	59,30	68,90	68,90
B	14,00	17,00	20,00	24,00	29,00	36,00
P	34,00	37,00	38,60	41,90	46,70	46,70
A	26,92	29,97	31,75	33,53	40,64	40,64
K	19,05	19,05	19,05	19,05	23,82	23,82
E	11,12	14,27	15,87	17,47	19,84	19,84
H	7,50	6,50	6,00	5,00	7,00	7,00
G	9,00	12,00	13,50	16,50	22,00	22,00
M	M8	M8	M8	M10	M12	M12



METRIC HEAD FLAT RETAINER

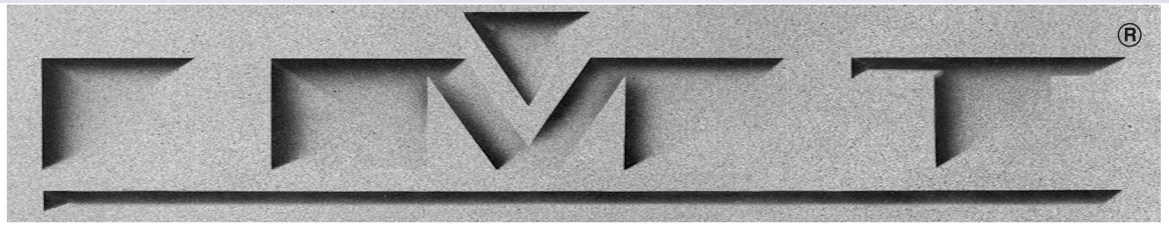
MTPFR



ACCESSORIES INCLUDED : 2 SCREWS, 2 DOWEL PINS

ORDER EXAMPLE: MTPFR with D=16 ----- MTPFR-16

D	10	13	16	20	25	32
W	41,00	48,50	51,70	56,80	64,50	64,50
L	43,50	49,60	52,70	59,30	68,90	68,90
B	12,00	15,00	18,00	22,00	27,00	34,00
P	34,00	37,00	38,60	41,90	46,70	46,70
A	26,92	29,97	31,75	33,53	40,64	40,64
K	19,05	19,05	19,05	19,05	23,82	23,82
E	11,12	14,27	15,87	17,47	19,84	19,84
H	7,50	6,50	6,00	5,00	7,00	7,00
G	9,00	12,00	13,50	16,50	22,00	22,00
M	M8	M8	M8	M10	M12	M12

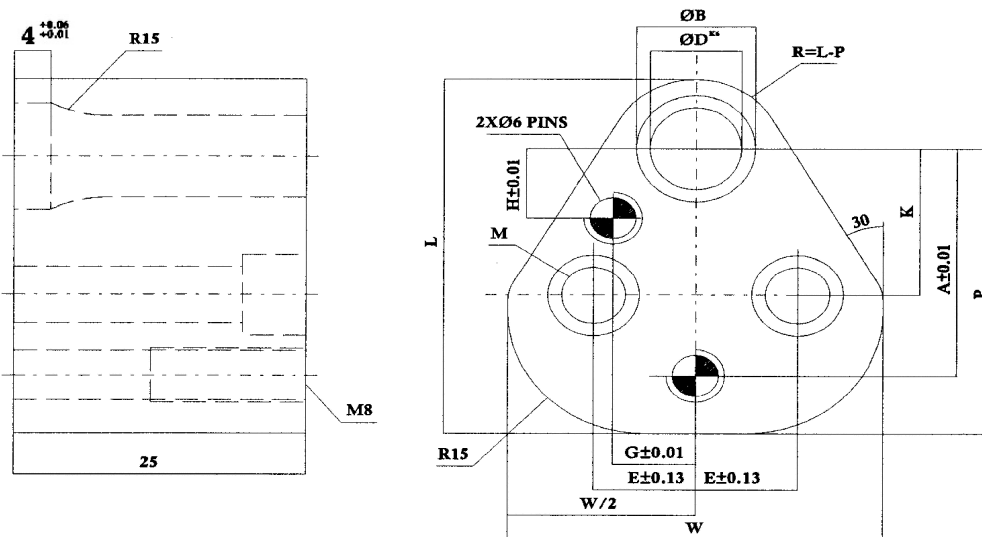


METRIC BOTTLE NECK RETAINER

New

MTBR

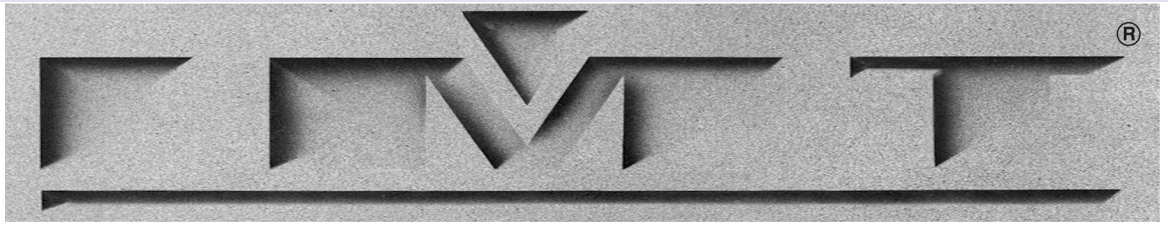
New



ACCESSORIES INCLUDED : 2 SCREWS, 2 DOWEL PINS

ORDER EXAMPLE: MTBR with D=16 ----- MTBR-16

D	10	13	16	20	25	32
W	41,00	48,50	51,70	56,80	64,50	64,50
L	43,50	49,60	52,70	59,30	68,90	68,90
B	14,00	17,00	20,00	25,00	30,00	37,00
P	34,00	37,00	38,60	41,90	46,70	46,70
A	26,92	29,97	31,75	33,53	40,64	40,64
K	19,05	19,05	19,05	19,05	23,82	23,82
E	11,12	14,27	15,87	17,47	19,84	19,84
H	7,50	6,50	6,00	5,00	7,00	7,00
G	9,00	12,00	13,50	16,50	22,00	22,00
M	M8	M8	M8	M10	M12	M12

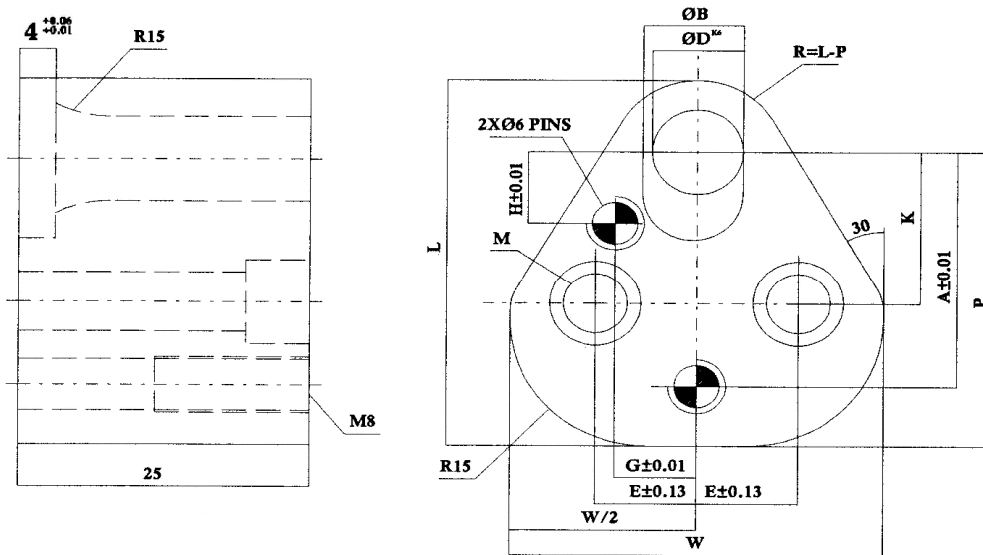


METRIC BOTTLE NECK FLAT RETAINER

New

MTPFR

New



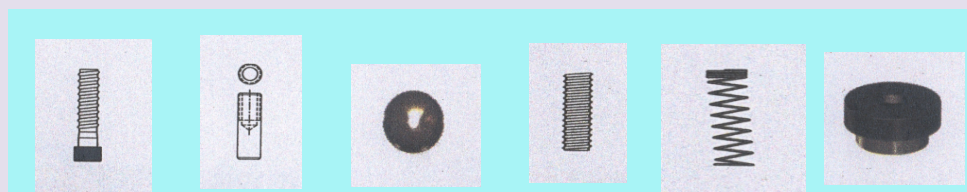
ACCESSORIES INCLUDED : 2 SCREWS, 2 DOWEL PINS

ORDER EXAMPLE: MTBFR with D=16 ----- MTBFR-16

D	10	13	16	20	25	32
W	41,00	48,50	51,70	56,80	64,50	64,50
L	43,50	49,60	52,70	59,30	68,90	68,90
B	12,00	15,00	18,00	22,50	27,50	34,50
P	34,00	37,00	38,60	41,90	46,70	46,70
A	26,92	29,97	31,75	33,53	40,64	40,64
K	19,05	19,05	19,05	19,05	23,82	23,82
E	11,12	14,27	15,87	17,47	19,84	19,84
H	7,50	6,50	6,00	5,00	7,00	7,00
G	9,00	12,00	13,50	16,50	22,00	22,00
M	M8	M8	M8	M10	M12	M12



BALL-LOCK RETAINER ACCESSORIES



RETAINER	SCREW	DOWELS PINS	BALL	BALL RELEASE SCREW	SPRING	BACKING PLUGS
MTLR-6	LDS-6	LDP-6	LDB-6	LDR-6	LDSP-6	LDBP-6
MTLR-10	LDS-10	LDP-10	LDB-10	LDR-10	LDSP-10	LDBP-10
MTLR-13	LDS-13	LDP-13	LDB-13	LDR-13	LDSP-13	LDBP-13
MTLR-16	LDS-16	LDP-16	LDB-16	LDR-16	LDSP-16	LDBP-16
MTLR-20	LDS-20	LDP-20	LDB-20	LDR-20	LDSP-20	LDBP-20
MTLR-25	LDS-25	LDP-25	LDB-25	LDR-25	LDSP-25	LDBP-25
MTLR-32	LDS-32	LDP-32	LDB-32	LDR-32	LDSP-32	LDBP-32
MTLR-38	LDS-38	LDP-38	LDB-40	LDR-38	LDSP-38	LDBP-38
MTHR-10	HDS-10	HDP-10	HDB-10	HDR-10	HDSP-10	HDBP-10
MTHR-13	HDS-13	HDP-13	HDB-13	HDR-13	HDSP-13	HDBP-13
MTHR-16	HDS-16	HDP-16	HDB-16	HDR-16	HDSP-16	HDBP-16
MTHR-20	HDS-20	HDP-20	HDB-20	HDR-20	HDSP-20	HDBP-20
MTHR-25	HDS-25	HDP-25	HDB-25	HDR-25	HDSP-25	HDBP-25
MTHR-32	HDS-32	HDP-32	HDB-32	HDR-32	HDSP-32	HDBP-32
MTHR-40	HDS-40	HDP-40	HDB-40	HDR-40	HDSP-40	HDBP-40

ORDER EXAMPLE: SPRING FOR MTHR-16 ----- HDSP-16