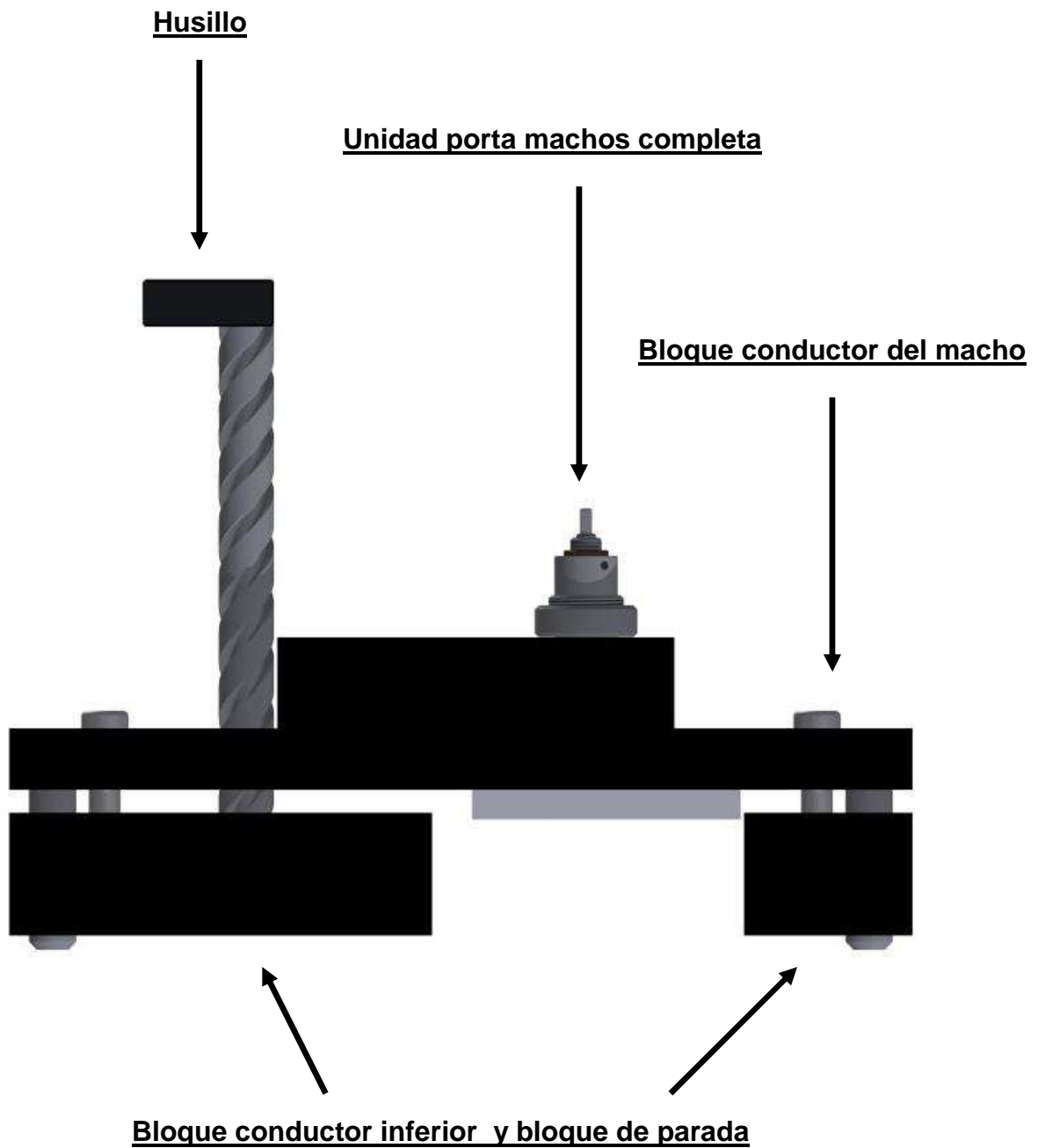


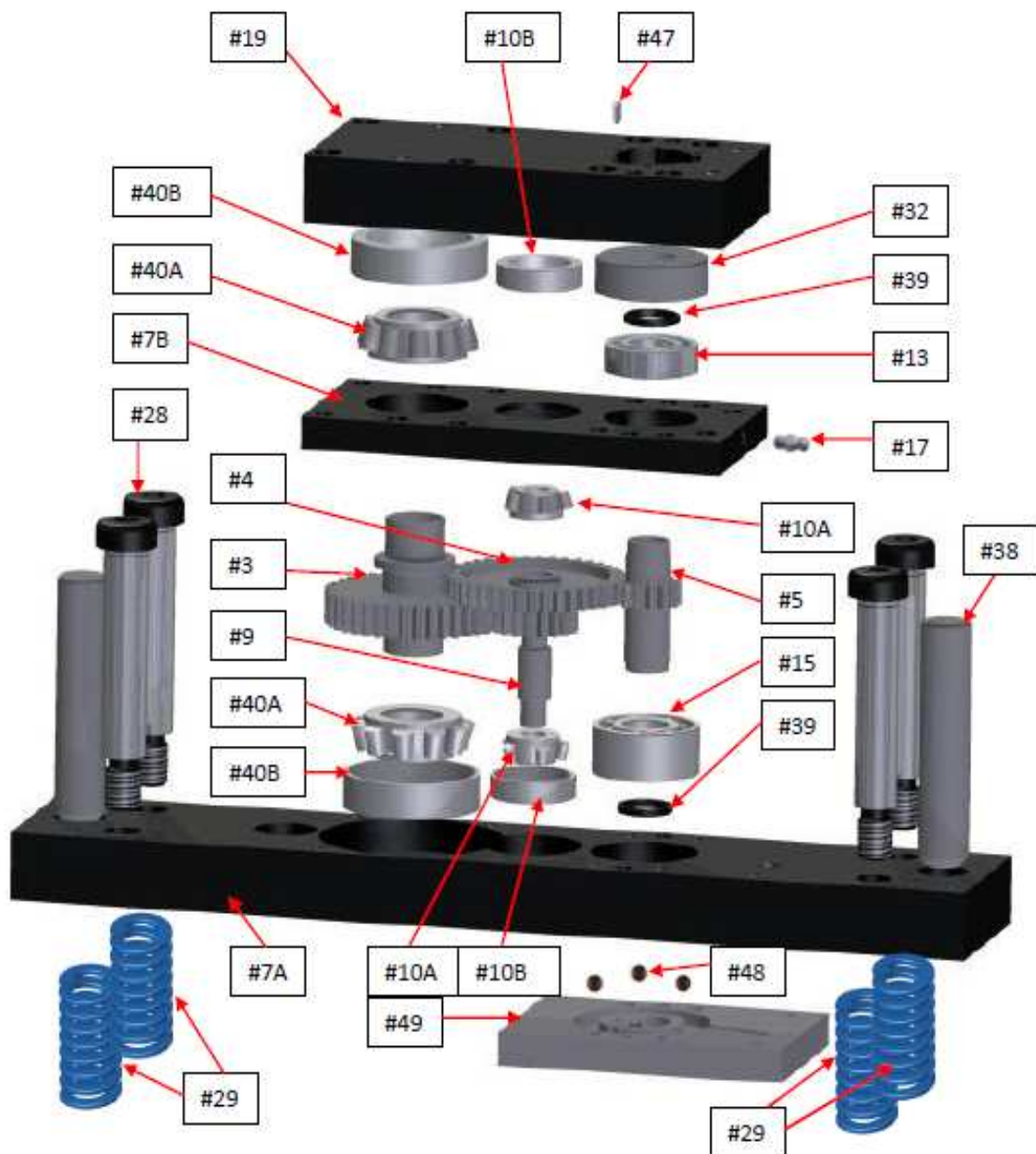


# UNIDAD DESCENDENTE CON CONDUCTOR DE FLEJE TH25



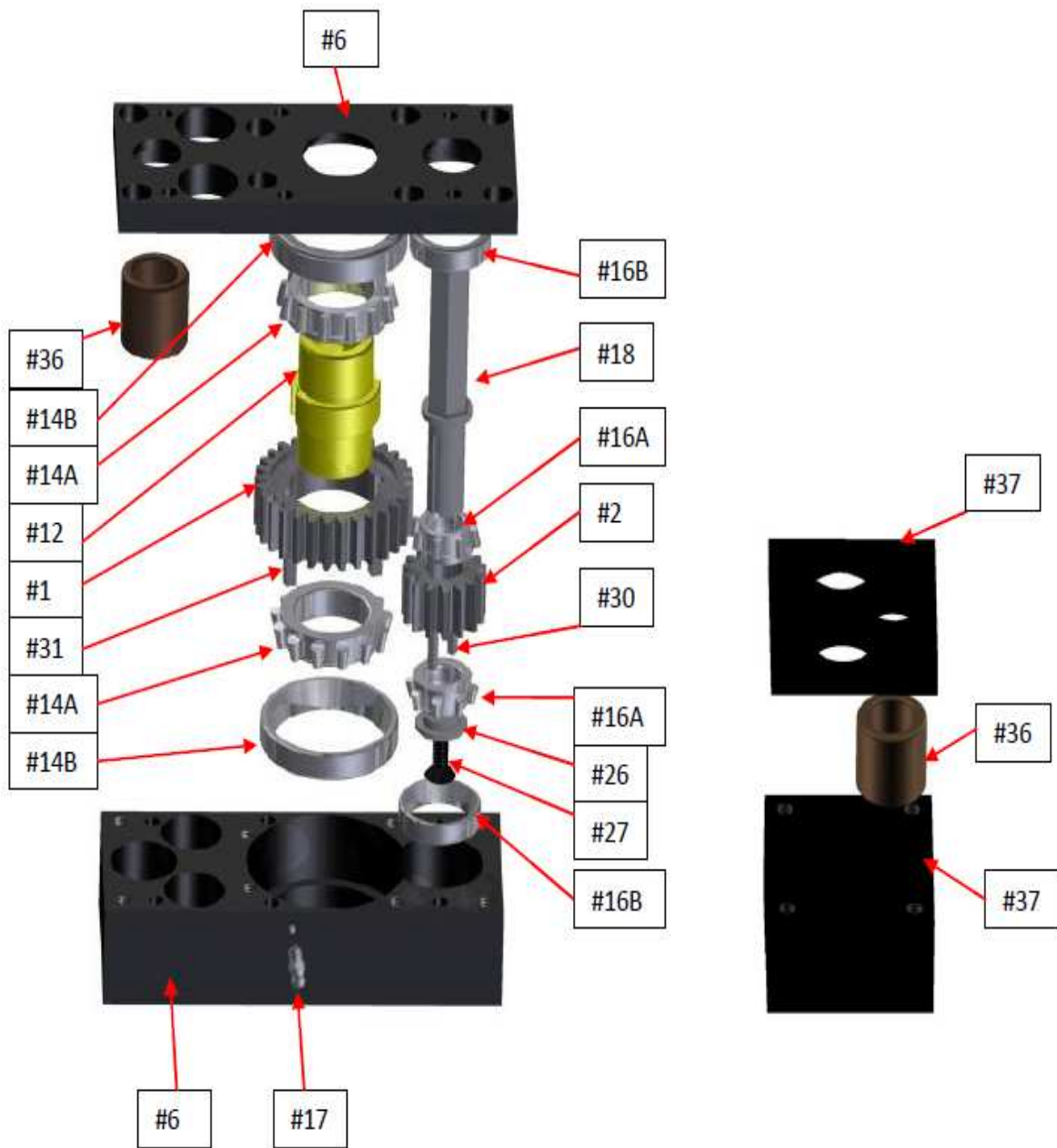


## BLOQUE CONDUCTOR DEL MACHO TH25 CON CONDUCTOR DE FLEJE



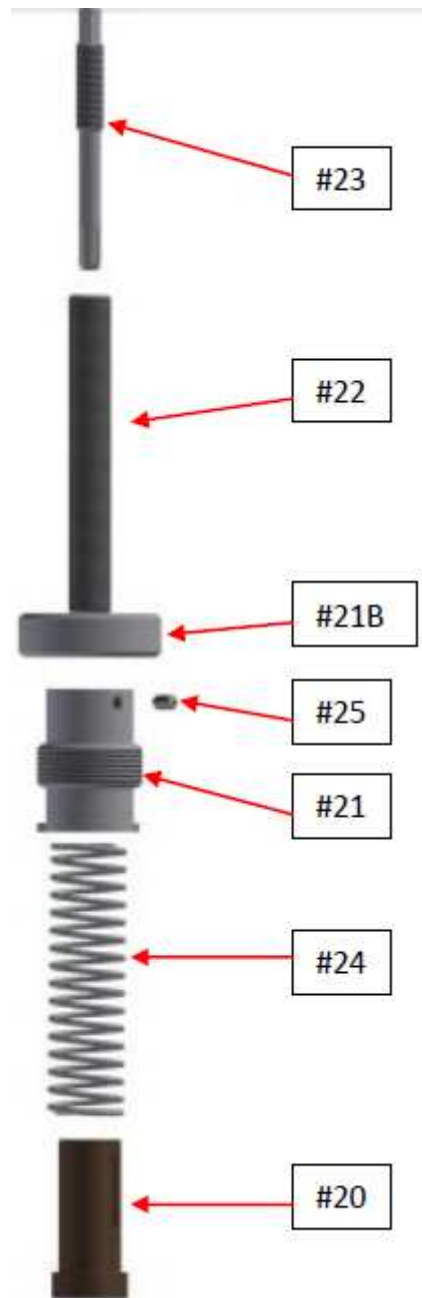


## BLOQUE CONDUCTOR INFERIOR Y BLOQUE DE PARADA TH25 CON CONDUCTOR DE FLEJE



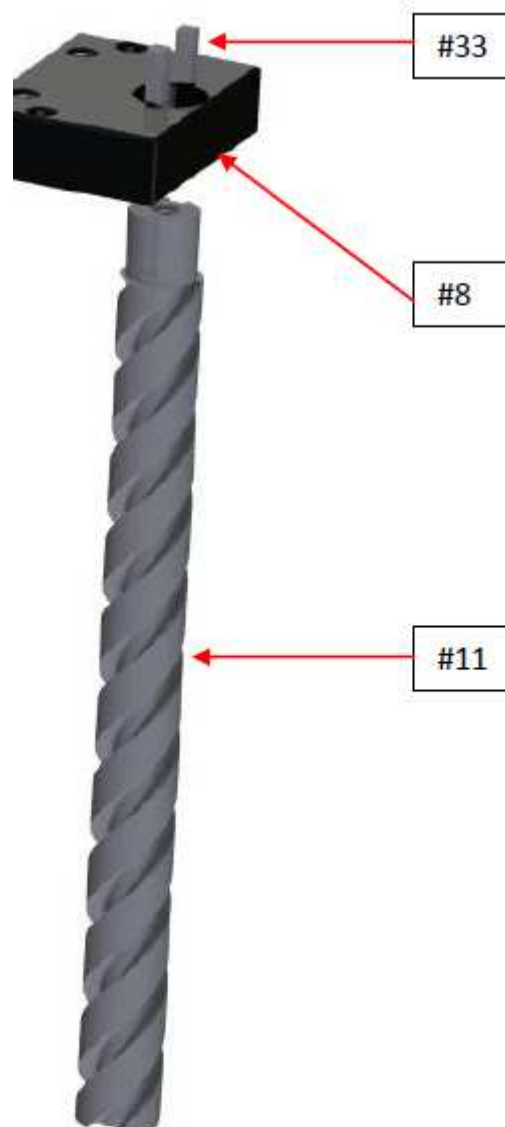


## UNIDAD PORTA MACHOS TH25 CON CONDUCTOR DE FLEJE





## CONJUNTO DEL HUSILLO TH25 CON CONDUCTOR DE FLEJE





INGENIERIA DE MOLDES Y TROQUELES, S. A.

<b>PART #</b>	<b>DESCRIPTION</b>	<b>ORDER #</b>
1	GEAR	TH25.01-SF
2	GEAR	TH25.02-SF
3	GEAR BUSHING COMBO	TH25.03-SF
4	GEAR COMBO	TH25.04-SF
5	TAP SPINDLE DRIVE GEAR	TH25.05-SF
6	BOTTOM DRIVE HOUSING	TH25.06-SF
7A	TAP DRIVE HOUSING	TH25.07A-SF
7B	TAP DRIVE HOUSING	TH25.07B-SF
8	CAMSHAFT MOUNTING BLOCK	TH25.08-SF
9	IDLER SHAFT	TH25.09-SF
10A	ROLLER BEARING	TH25.10A-SF
10B	RACE BEARING	TH25.10B-SF
11	CAMSHAFT	TH25.11-SF
12	CAMSHAFT BUSHING	TH25.12-SF
13	BEARING	TH25.13-SF
14A	ROLLER BEARING	TH25.14A-SF
14B	RACE BEARING	TH25.14B-SF
15	BEARING	TH25.15-SF
16A	ROLLER BEARING	TH25.16A-SF
16B	RACE BEARING	TH25.16B-SF
17	GREASE FITTING	TH25.17-SF
18	TRANSFER SHAFT	TH25.18-SF
19	LEADSCREW ASSEMBLY HOLDER	TH25.19-SF
20	LEADSCREW BUSHING	TH25.20-SF
21	LEADSCREW BUSHING GUIDE	TH25.21-SF
21B	LOCKING RING	TH25.21B-SF
22	LEADSCREW	TH25.22-SF
23	LEADSCREW CHUCK	TH25.23-SF





PART #	DESCRIPTION	ORDER #
24	SPRING	TH25.24-SF
25	DOG POINT SET SCREW	TH25.25-SF
26	WASHER	TH25.26-SF
27	SCREW	TH25.27-SF
28	STRIPPER BOLTS	TH25.28-SF
29	SPRING	TH25.29-SF
30	1/8 KEYS	TH25.30-SF
31	3/16 KEYS	TH25.31-SF
32	BEARING CAP	TH25.32-SF
33	3/16 KEYS	TH25.33-SF
34	NA	NA
35	NA	NA
36	GUIDE BUSHING	TH25.36.1-SF
37	STOP BLOCKS	TH25.37-SF
38	GUIDE PINS	TH25.38-SF
39	SEAL	TH25.39-SF
40A	ROLLER BEARING	TH25.40A-SF
40B	RACE BEARING	TH25.40B-SF
41A	NA	NA
41B	NA	NA
42	NA	NA
43	NA	NA
44	NA	NA
45A	NA	NA
45B	NA	NA
46	NA	NA
47	SPRING LOADED BALL LOCK	TH25.47-SF
48	COOLANT APPLICATOR	TH25.48-SF
49	COOLANT PLATE	TH25.49-SF